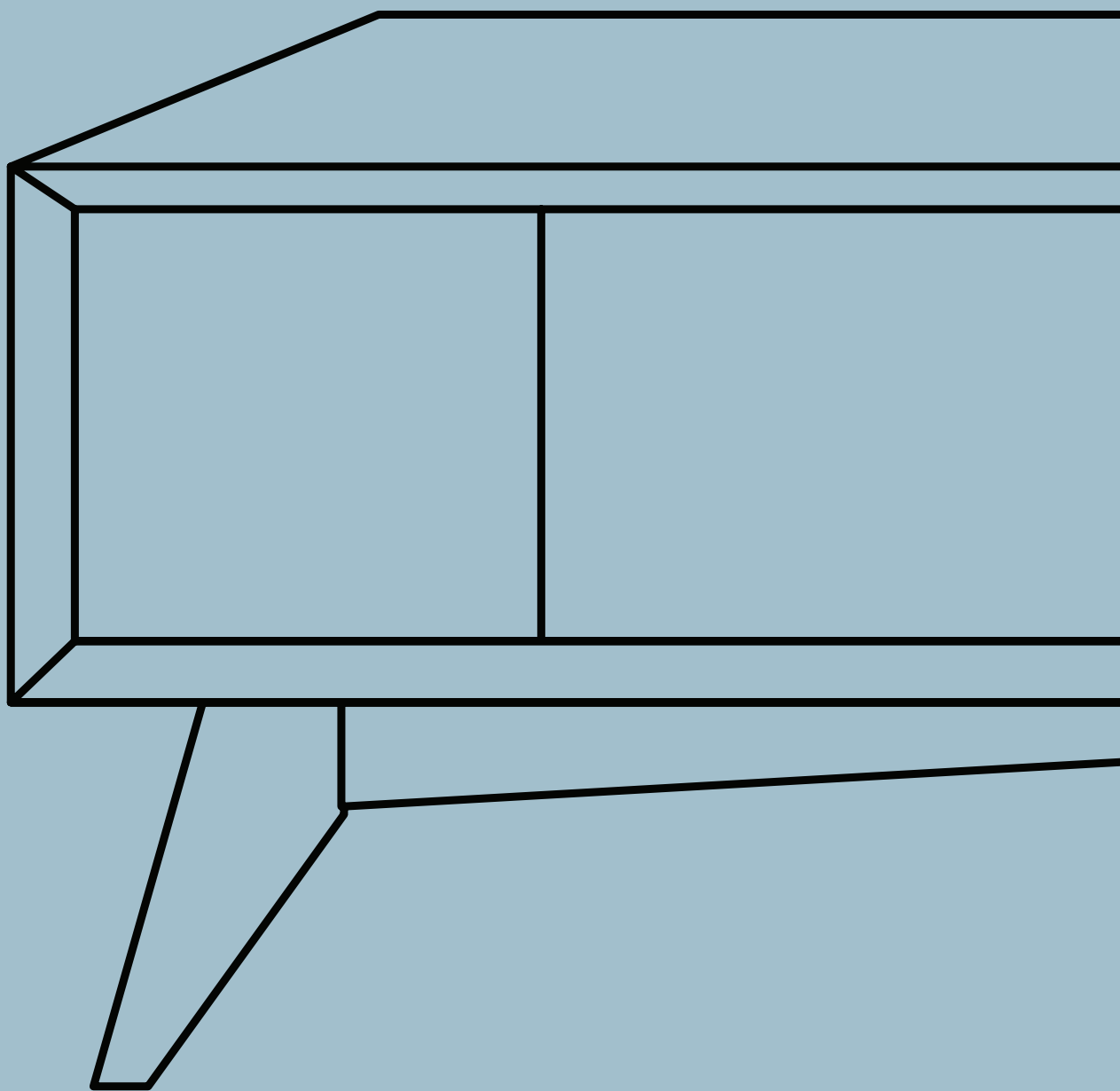


ARTOME



CINEMA

[WWW.ARTOME.FI](http://WWW.ARTOME.FI)

# ARTOME CINEMA - AMPS UP THE SOUND OF YOUR HOME

Artome Cinema is a full home theater with its 3.1 speaker system embedded in a TV-stand. The furniture brings a movie theater into your living room without any extra speakers or wires.

Since the integrated A/V-amplifier automatically connects to the display device,

using the furniture requires neither remotes nor additional software – just use the TV or any portable device as you normally would.

Cinema has several visual customization options, varying from a range of acoustic fabrics to three leg choices.

## AVAILABLE MODEL AND COLOUR OPTIONS



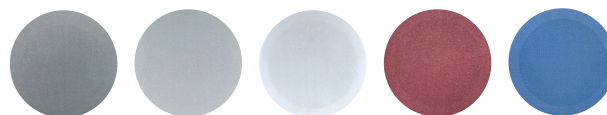
Serene, white, metal legs



Vino, white, oak legs



Vino, black, metal legs



Acoustic fabric colour choices

## TECHNICAL SPECIFICATIONS

**Dimension, width x depth x height (mm)** 1838x490x346/383 **Remark** Assembled (excl. leg assembly).  
**Packing size (mm)** 1910x540x260, 1920x180x80 **Gross weight (kg)** 65

<b>AUDIO SYSTEM</b>	
Speaker type	Front/Center: Coaxial, acoustically integrated inside furniture, closed Subwoofer: integrated inside furniture, reflex loaded active subwoofer
Drive units	4,5" bass/midrange aluminium driver, 25 mm softdome tweeter, 8" long-stroke active subwoofer
Cross-over	80 Hz, 4000 Hz
Frequency range	anechoic response +-3dB 35-25000Hz, in room response 40-20000Hz
Sensitivity	86dB/1m/2.83V
Nominal impedance	4 ohms
Integrated AV-amplifier*	Yamaha RX-V383, 5.1ch with HDMI CEC
5.1 extension (surround)	Wireless expansions available ranging from sofas to wallmounting.
Included cables	HDMI cable (2 m), optical cable (2 m), power extension (Type C: 2 sockets)
* HDMI CEC compatible TV labeled by producers as: Samsung: Anynet+, Sony: Bravia Sync, LG: SimpLink, Panasonic: VIERA Link, Sharp: Aquos Link	